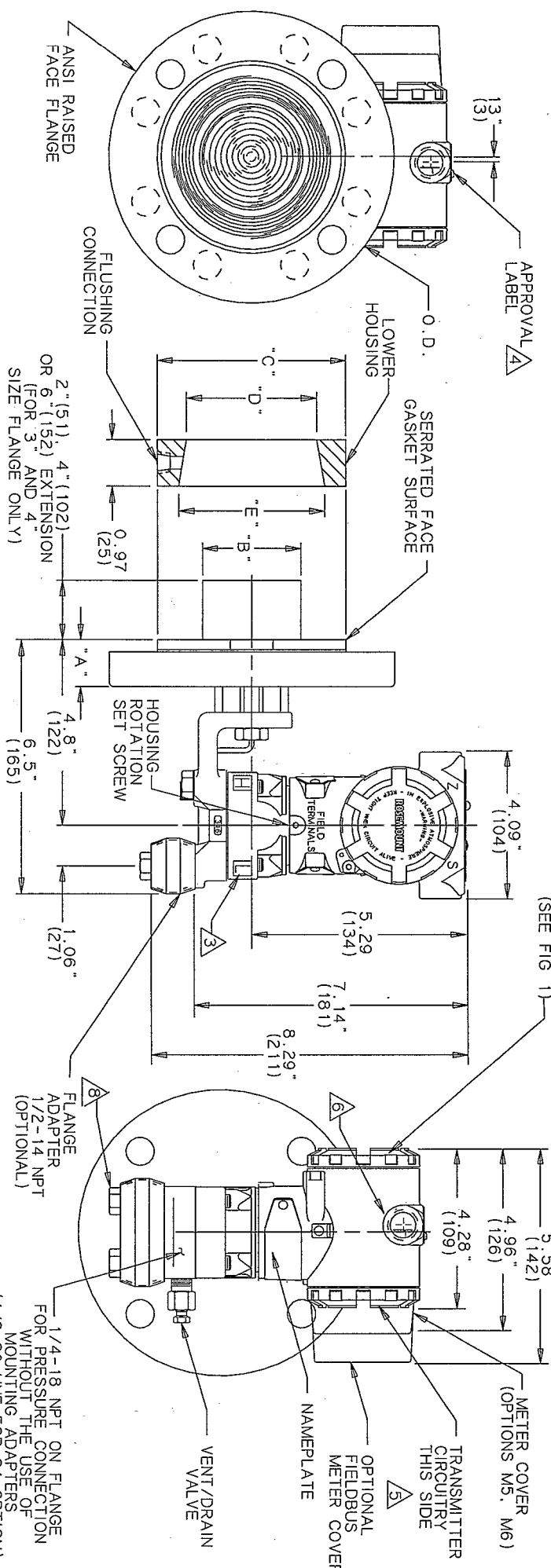


REVISIONS			
REV	DESCRIPTION	CHG. NO.	DATE
B	ADD LOWER HOUSING	646318	<i>WJW 10/21/99</i>



- NOTES:
1. DIMENSIONS SHOWN IN PARENTHESES ARE IN MILLIMETERS.
 2. FOR MODEL NUMBER SELECTION, SEE TABLE 1.
 3. LETTERS DENOTE HIGH AND LOW SIDES FOR PRESSURE CONNECTION.
 4. ROTATE APPROVALS LABEL FOR ZERO AND SPAN ADJUST.
 5. .75" (19) CLEARANCE DIMENSION REQUIRED FOR COVER REMOVAL.
 6. 1/2-14 NPT UNLESS STAMPED CM20 OR PG 13.5.
 7. WEIGHT 12.9 lbs (5.86 kg) EXCLUDING OPTIONS.
 8. TORQUE BOLTS TO 650in. lbs ±50in. lbs (67.2 NM ±5.6 NM) FOR CARBON STEEL. 300in. lbs ±50in. lbs (33.6 NM ±5.6 NM) FOR SST.
 9. MAXIMUM WORKING PRESSURE OF 3626 PSIG (25.0 MPa) OR FLANGE RATING PER ANSI B16.5, WHICHEVER IS LESS.

FLANGE DIMENSIONS											
ORDERING CODE	SIZE	RATING	O.D.	DIM. "A"	DIA. "B"	DIA. "C"	NO.	DIA.	HOLE DIA.	LOWER HOUSING DIA. "D"	DIA. "E"
A/F	3"	150#	7-1/2"	1-3/16"	2.58"	5"	4	3/4"	6"	3.11"	3.11"
B/G	4"	150#	9"	1-3/16"	3.50"	5"	8	3/4"	7-1/2"	4.06"	4.06"
C/H	3"	300#	8-1/4"	1-3/8"	2.58"	5"	8	7/8"	6-5/8"	3.11"	3.11"
D/J	4"	300#	10"	1-1/2"	3.50"	6-3/16"	8	7/8"	7-7/8"	4.06"	4.06"
E/L	3"	600#	8-1/4"	1-1/2"	2.58"	5"	8	7/8"	6-5/8"	3.11"	3.11"
M/X	2"	150#	6"	1"	NA	3-3/4"	4	3/4"	4-3/4"	2.16"	2.9"
N/Y	2"	300#	6-1/2"	1-1/8"	NA	3-3/4"	8	3/4"	5"	2.16"	2.9"
P/Z	2"	600#	6-1/2"	1-1/4"	NA	3-3/4"	8	3/4"	5"	2.16"	2.9"

THIS DRAWING WAS CREATED ON CAD. YELLUM MASTER IS NOT TO BE CHANGED. DRAWING IS ARCHIVED ON MAGNETIC TAPE FOR ECO CHANGES.

UNLESS OTHERWISE SPECIFIED DIMENSIONS IN INCHES

TOLERANCE -

DECIMALS FRACTIONS ANGLES

.XX ± .02 ± 2°

.XXX ± .010 ± 2°

DO NOT SCALE PRINT

DR. DR. M. WESTPHAL	9/17/93	TITLE	ROSEMOUNT INC. CHANNASSEN, MINNESOTA
APP'D. DR. M. WESTPHAL		OUTLINE INSTALLATION DRAWING FOR MODEL 3051L PRESSURE TRANSMITTER	
APP'D. DR. M. WESTPHAL		SIZE	A
APP'D. DR. M. WESTPHAL		SCALE: NONE	WT.

SHEET 1 OF 18

TABLE 1

MODEL 3051L		3051 LIQUID LEVEL TRANSMITTER								
CODE		RANGE								
A		0-8.3 TO 0-250 IN H ₂ O (0-2.07 TO 0-62.2 kPa)								
B		0-33.3 TO 0-1000 IN H ₂ O (0-8.28 TO 0-248 kPa)								
C		0-30 TO 0-300 PSIG (0-0.21 TO 0-2.07 MPa) (DEPENDENT ON FLANGE RATING)								
CODE		OUTPUT								
A		4-20 mA WITH DIGITAL SIGNAL BASED ON HART PROTOCOL								
B		LOW POWER, 1-5 V DC WITH DIGITAL SIGNAL BASED ON HART PROTOCOL (SEE OPTION CODE C2)								
HIGH PRESSURE SIDE										
CODE	DIAPHRAGM SIZE	DIAPHRAGM MATERIAL	EXTENSION LENGTH	LOWER HOUSING MATERIAL						
A0	3"/DN 80	316L SST	FLUSH MOUNT	NONE REQUIRED						
A2	3"/DN 80	316L SST	2"/50 mm	NONE REQUIRED						
A4	3"/DN 80	316L SST	4"/100 mm	NONE REQUIRED						
A6	3"/DN 80	316L SST	6"/150 mm	NONE REQUIRED						
B0	4"/DN 100	316L SST	FLUSH MOUNT	NONE REQUIRED						
B2	4"/DN 100	316L SST	2"/50 mm	NONE REQUIRED						
B4	4"/DN 100	316L SST	4"/100 mm	NONE REQUIRED						
B6	4"/DN 100	316L SST	6"/150 mm	NONE REQUIRED						
C0	3"/DN 80	HASTELLOY	FLUSH MOUNT	NONE REQUIRED						
C2	3"/DN 80	HASTELLOY	2"/50 mm	NONE REQUIRED						
C4	3"/DN 80	HASTELLOY	4"/100 mm	NONE REQUIRED						
C6	3"/DN 80	HASTELLOY	6"/150 mm	NONE REQUIRED						
D0	4"/DN 100	HASTELLOY	FLUSH MOUNT	NONE REQUIRED						
D2	4"/DN 100	HASTELLOY	2"/50 mm	NONE REQUIRED						
D4	4"/DN 100	HASTELLOY	4"/100 mm	NONE REQUIRED						
D6	4"/DN 100	HASTELLOY	6"/150 mm	NONE REQUIRED						
E0	3"/DN 80	TANTALUM	FLUSH MOUNT ONLY	NONE REQUIRED						
E2	3"/DN 80	TANTALUM	FLUSH MOUNT ONLY	NONE REQUIRED						
F0	4"/DN 100	TANTALUM	FLUSH MOUNT ONLY	NONE REQUIRED						
F2	4"/DN 100	TANTALUM	FLUSH MOUNT ONLY	NONE REQUIRED						
G0	2"/DN 50	316L SST	FLUSH MOUNT ONLY	SST						
H0	2"/DN 50	HASTELLOY	FLUSH MOUNT ONLY	HASTELLOY						
JO	2"/DN 50	TANTALUM	FLUSH MOUNT ONLY	HASTELLOY						
MOUNTING FLANGE										
CODE	SIZE	RATING	MATERIAL	DIAPH. SIZES	CODE	SIZE	RATING	MATERIAL	DIAPH. SIZES	
A	3"	150#	CS	3"/DN 80	J	4"	300#	SST	4"/DN 100	
B	4"	150#	CS	4"/DN 100	L	4"	600#	SST	3"/DN 80	
C	3"	300#	CS	3"/DN 80	M	2"	150#	CS	2"/DN 50	
D	3"	300#	CS	4"/DN 100	N	2"	300#	CS	2"/DN 50	
E	3"	600#	CS	3"/DN 80	P	2"	600#	CS	2"/DN 50	
F	4"	150#	SST	4"/DN 100	Q	2"	150#	SST	2"/DN 50	
G	4"	150#	SST	3"/DN 80	R	2"	300#	SST	2"/DN 50	
H	3"	300#	SST	3"/DN 80	Z	2"	600#	SST	2"/DN 50	
O	DN 50	PN 10-40	CS	2"/DN 50						
R	DN 80	PN 40	CS	3"/DN 80						
S	DN 100	PN 40	CS	4"/DN 100						
T	DN 100	PN 10/16	CS	4"/DN 100						
V	DN 50	PN 10-40	SST	2"/DN 50						
W	DN 80	PN 40	SST	3"/DN 80						
X	DN 100	PN 40	SST	4"/DN 100						
Y	DN 80	PN 40	SST	3"/DN 80						
Z	DN 100	PN 10/16	SST	4"/DN 100						
PROCESS FILL-HIGH PRESSURE SIDE						TEMPERATURE LIMITS				
A	SYL THERM XLT					-100 TO 300 DEG F. (-73 TO 135 DEG C.)				
C	D. C. SILICONE					60 TO 400 DEG F. (15 TO 205 DEG C.)				
D	D. C. SILICONE					-40 TO 400 DEG F. (-40 TO 205 DEG C.)				
H	INERT (HALOCARBON)					-50 TO 350 DEG F. (-45 TO 172 DEG C.)				
M	GLYCERINE AND WATER					0 TO 200 DEG F. (-17 TO 93 DEG C.)				
N	NEEBEE M-20					0 TO 400 DEG F. (-17 TO 205 DEG C.)				
P	PROPYLENE GLYCOL AND WATER					0 TO 200 DEG F. (-17 TO 93 DEG C.)				
S	SYL THERM					-50 TO 400 DEG F. (-45 TO 205 DEG C.)				
LOW PRESSURE SIDE										
CODE	CONFIGURATION	FLANGE/ADAPTOR MATERIAL	DIAPHRAGM MATERIAL	SENSOR FILL FLUID						
11	GAGE	SST	316L SST	SILICONE						
21	DIFFERENTIAL	SST	316L SST	SILICONE						
22	DIFFERENTIAL	SST	HAST C-276	SILICONE						
ZB	DIFFERENTIAL	SST	316L SST	INERT (HYDROCARBON)						
31	REMOTE SEAL (REQUIRES OPTION S1)	SST	316L SST	INERT						
O-RING MATERIAL										
A	GLASS-FILLED TFE									
CODE	HOUSING MATERIAL						CONDUIT ENTRY SIZE			
A	POLYURATHANE-COVERED ALUMINUM						1/2 14 NPT			
B	POLYURATHANE-COVERED ALUMINUM						CM 20 X 1.5			
D	POLYURATHANE-COVERED ALUMINUM						PG 13.5			
J	316 SST						1/2-14 NPT			
K	316 SST						CM 20 X 1.5			
L	316 SST						PG 13.5			
OPTIONAL CHOICES										
Axxxx	OPTIONS									
E4	JAPANESE INDUSTRIAL STANDARDS (JIS) FLAMEPROOF CERTIFICATION									
E5	FACTORY MUTUAL (FM) EXPLOSION PROOF APPROVAL									
E8	CENELEC FLAME PROOF (CESI)									
I6	FACTORY MUTUAL (FM) NON-INCENDIVE AND INTRINSIC SAFETY APPROVAL									
C6	CANADIAN STANDARDS ASSOCIATION (CSA) EXPLOSION PROOF, NON-INCENDIVE AND INTRINSIC SAFETY APPROVAL									
N1	BASEEFA/CENELEC INTRINSIC SAFETY CERTIFICATION									
N1	BASEEFA TYPE N CERTIFICATION									
L4	AUSTENITIC 316 SST BOLTS									
L5	ANSI/ASTM-A-193-B7M BOLTS									
J1	LOCAL ZERO ADJUSTMENT ONLY									
J3	NO LOCAL ZERO OR SPAN ADJUSTMENT									
M5	LCD METER FOR ALUMINUM HOUSING (CODES A, B, & C)									
M6	LCD METER FOR SST HOUSING (CODES J, K, & L)									
S1	ASSEMBLY OF ONE REMOTE SEAL									
T1	INTEGRAL TRANSIENT PROTECTION (SEE DETAIL A)									
K5	FACTORY MUTUAL (FM) EXPLOSION-PROOF AND INTRINSIC SAFETY APPROVAL									
K6	COMBINATION OF CSA AND CENELEC EXPLOSION PROOF, INTRINSIC SAFETY APPROVAL									
E7	STANDARDS ASSOCIATION OF AUSTRALIA (SAA) FLAMEPROOF CERTIFICATION									
I7	STANDARDS ASSOCIATION OF AUSTRALIA (SAA) INTINSIC SAFETY CERTIFICATION									
O4	CALIBRATION DATA SHEET									
O8	MATERIAL TRACEABILITY CERTIFICATION PER EN 10204 3.1B									
T1	TRANSIENT PROTECTION TERMINAL BLOCK									
C1	CUSTOM SOFTWARE CONFIGURATION									
C2	0-8.3 2 V DC OUTPUT WITH DIGITAL SIGNAL BASED ON HART PROTOCOL									
D8	CERAMIC BALL DRAIN/VENTS									
F	SEE TABLE 14 FORE AVAILABILITY									
TABLE 14.										
CODE	FLUSHING CONNECTION RING MATERIAL	FLUSHING CONNECTION NO	MATERIAL	DIAPHRAGM SIZE						
				2 IN	3 IN	4 IN				
F1	SST	1	1/4	X	X	X				
F2	SST	2	1/4	X	X	X				
F3	HASTELLOY	1	1/4	X	X	X				
F4	HASTELLOY	2	1/4	X	X	X				
FA	SST	0	-	X	-	-				
FC	HASTELLOY	0	-	X	-	-				
F7	SST	1	1/2	X	X	X				
F8	SST	2	1/2	X	X	X				
F9	HASTELLOY	1	1/2	X	X	X				
FO	HASTELLOY	2	1/2	X	X	X				

DR
 ISSUE
 ROSEMOUNT INC.
 MINNEAPOLIS, MINN.
 THIS DRAWING WAS CREATED ON CAD.
 YELLOW MASTER IS NOT TO BE CHANGED.
 DRAWING IS ARCHIVED ON MAGNETIC TAPE.
 FOR ECO CHANGES.
 FILE NAME:
 SIZE FSCM NO. DRAWING NO. 03031-1030
 A 04274
 SCALE: WT. SHEET 2 OF 18

STANDARD
WIRING CONNECTION

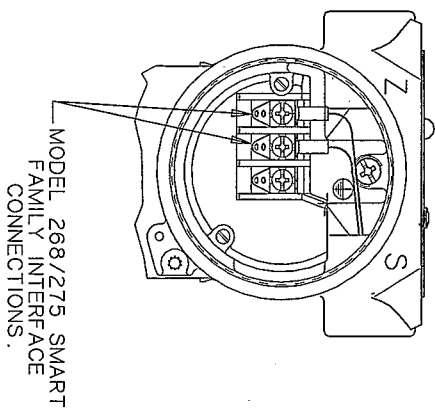


FIGURE 1

TRANSIENT PROTECTION
WIRING CONNECTION
(OPTION T 1)

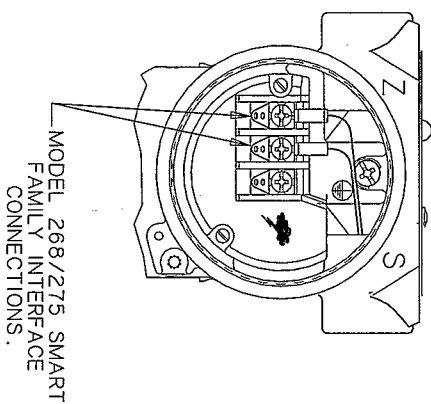


FIGURE 2

LOW POWER
WIRING CONNECTION
(OUTPUT CODE M OR
OPTION CODE C2)

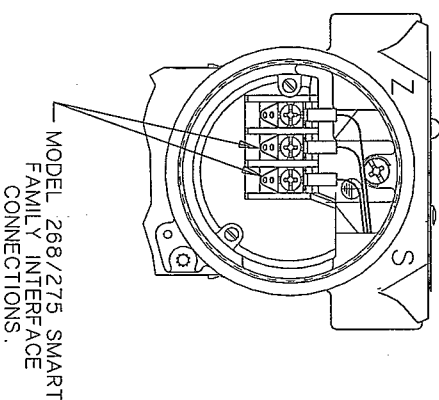


FIGURE 3

ROSEMOUNT INC.
MINNEAPOLIS, MINN.
DR
ISSUE

THIS DRAWING WAS CREATED ON CAD
VELLUM MASTER IS NOT TO BE CHANGED.
DRAWING IS ARCHIVED ON MAGNETIC TAPE
FOR ECO CHANGES.
FILE NAME:
SIZE ESCH. NO. DRAWING NO. 03031-1030
A 04274
SCALE: WT. SHEET 3 OF 18

FIELDBUS
WIRING CONNECTION

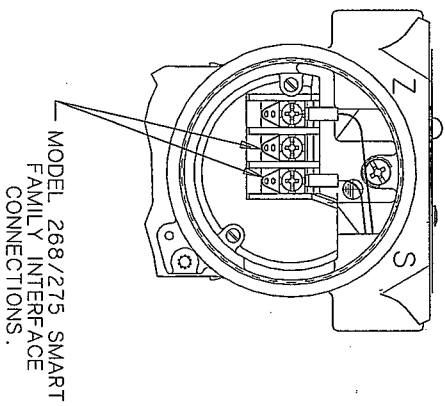


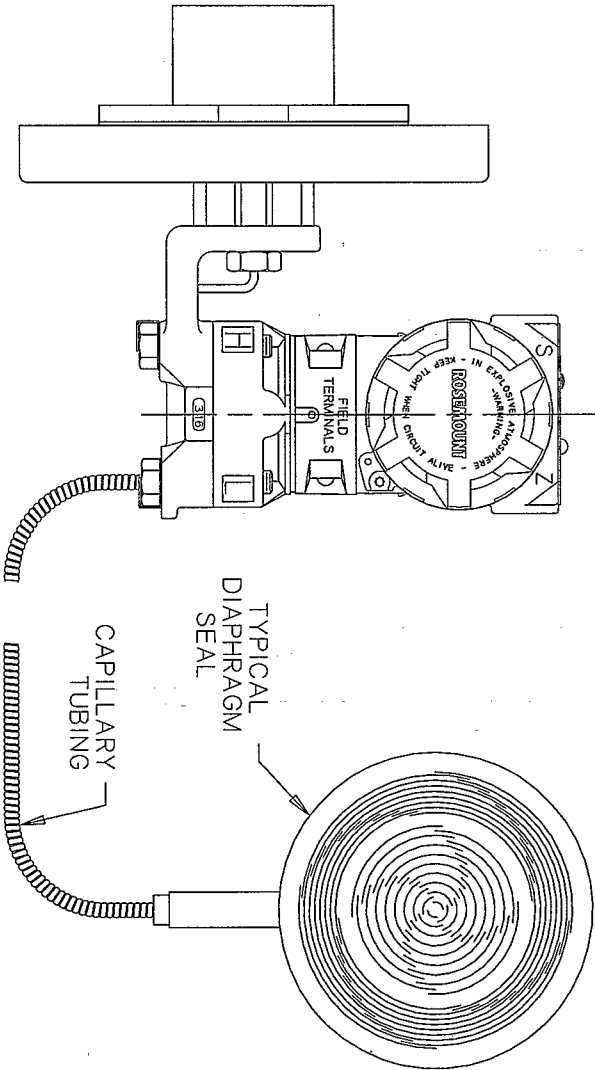
FIGURE 10

ROSEMOUNT INC.
MINNEAPOLIS, MINN.

THIS DRAWING WAS CREATED ON CAD
VELLUM MASTER IS NOT TO BE CHANGED.
DRAWING IS ARCHIVED ON MAGNETIC TAPE
FOR ECO CHANGES.
FILE NAME:
SIZE ESCM. NO. DRAWING NO. 03031-1030
A 04274
SCALE: WT. SHEET 4 OF 18

DR
ISSUE

DETAIL "B" - REMOTE SEAL ASSEMBLY (OPTION S1)



NOTES:

11. REMOTE SEAL AND CAPILLARY ARE NOT SHOWN IN AN ACCURATE PICTORIAL MANNER (SEE INDIVIDUAL STYLE FOR DETAILS (ROSEMOUNT SEALS ONLY))
12. FOR REMOTE SEAL AND CAPILLARY TUBING SPECIFICATIONS, SEE TABLE 2.

ROSEMOUNT INC.	
MINNEAPOLIS, MINN.	
DR	ISSUE

THIS DRAWING WAS CREATED ON CAD VELLUM MASTER IS NOT TO BE CHANGED FOR ECO CHANGES.			
FILE NAME:			
SIZE	FCGM NO.	DRAWING NO.	
A	04274	03031-1030	
SCALE:	WT.	SHEET 5	OF 18

TABLE 9

MODEL	TYPE	DIAPHRAGM SEALS	SEAL LOCATION (SELECT ONE)	CAPILLARY/FILL FLUID CONNECTION TYPE	TEMPERATURE LIMITS	SPECIFIC GRAVITY
1199	DIAPHRAGM SEALS					
CODE	SEAL LOCATION (SELECT ONE)					
B	SEAL ON BOTH HIGH AND LOW PRESSURE SIDES OF TRANSMITTER					
H	SEAL ON HIGH PRESSURE SIDE OF TRANSMITTER					
L	SEAL ON LOW PRESSURE SIDE OF TRANSMITTER					
D	SEAL ON BOTH HIGH AND LOW PRESSURE SIDES OF TRANSMITTER					
W	SEAL ON HIGH PRESSURE SIDE OF TRANSMITTER					
M	SEAL ON LOW PRESSURE SIDE OF TRANSMITTER					
CODE	FILL FLUID (SELECT ONE)					
A	SVL THERM XL T					
C	D. C. 704 (N/A WITH 0.028 INCH ID CAPILLARY)					
D	D. C. 200					
G	GLYCERIN AND WATER					
H	INERT (HALOCARBON)					
H	NEOBEE M20					
P	PROPYLENE GLYCOL AND WATER					
CODE	SEAL CONNECTION TYPE (SELECT ONE)					
	CAPILLARY I.D.					
	MATERIAL					
B	0.028	316 SST ARMORED SLEEVING				0.85
D	0.043	316 SST ARMORED SLEEVING				1.07
E	0.069	316 SST ARMORED SLEEVING				0.934
F	0.028	PVC COATING ON 316 SST ARMORED SLEEVING				1.13
G	0.069	PVC COATING ON 316 SST ARMORED SLEEVING				1.85
H	0.028	316 ARMORED SLEEVING, SUPPORT TUBE				0.917
J	0.043	316 ARMORED SLEEVING, SUPPORT TUBE				
K	0.069	316 ARMORED SLEEVING, SUPPORT TUBE				
M	0.028	PVC COATED 316 ARMORED SLEEVING, SUPPORT TUBE				
N	0.043	PVC COATED 316 ARMORED SLEEVING, SUPPORT TUBE				
P	0.069	PVC COATED 316 ARMORED SLEEVING, SUPPORT TUBE				
CODE	CONNECTION LENGTH (SELECT ONE)					
01	1 FOOT (0.3 METERS)					
05	5 FEET (1.5 METERS)					
10	10 FEET (3.0 METERS)					
15	15 FEET (4.5 METERS)					
20	20 FEET (6.1 METERS)					
25	25 FEET (7.6 METERS)					
30	30 FEET (9.1 METERS)					
35	35 FEET (10.7 METERS)					
40	40 FEET (12.2 METERS)					
45	45 FEET (13.7 METERS)					
50	50 FEET (15.2 METERS)					
31	0.5 METERS (1.6 FEET)					
32	1.0 METERS (3.3 FEET)					
33	1.5 METERS (4.9 FEET)					
34	2.0 METERS (6.6 FEET)					
35	2.5 METERS (8.2 FEET)					
36	3.0 METERS (9.8 FEET)					
37	3.5 METERS (11.5 FEET)					
38	4.0 METERS (13.1 FEET)					
39	4.5 METERS (14.8 FEET)					
60	3.0 METERS (9.8 FEET)					
61	3.5 METERS (11.5 FEET)					
62	4.0 METERS (13.1 FEET)					
63	4.5 METERS (14.8 FEET)					
64	5.0 METERS (16.4 FEET)					
65	5.5 METERS (18.0 FEET)					
66	6.0 METERS (19.7 FEET)					
67	6.5 METERS (21.3 FEET)					
68	7.0 METERS (23.0 FEET)					
69	7.5 METERS (24.6 FEET)					
70	8.0 METERS (26.2 FEET)					
71	8.5 METERS (27.9 FEET)					
72	9.0 METERS (29.5 FEET)					
73	9.5 METERS (31.2 FEET)					
74	10.0 METERS (32.8 FEET)					
75	10.5 METERS (34.4 FEET)					
76	11.0 METERS (36.0 FEET)					
77	11.5 METERS (37.6 FEET)					
78	12.0 METERS (39.3 FEET)					
79	12.5 METERS (40.9 FEET)					
80	13.0 METERS (42.6 FEET)					
81	13.5 METERS (44.2 FEET)					
82	14.0 METERS (45.9 FEET)					
83	14.5 METERS (47.6 FEET)					
84	15.0 METERS (49.2 FEET)					

SEE CORRESPONDING PAGES FOR FURTHER REMOTE SEAL INFORMATION.

ROSEMOUNT INC.
MINNEAPOLIS, MINN.

THIS DRAWING WAS CREATED ON CAD
VELLUM MASTER IS NOT TO BE CHANGED
DRAWING IS ARCHIVED ON MAGNETIC TAPE
FOR ECO CHANGES.

FILE NAME: _____

SIZE: A
SCALE: 04274

DR: _____

ISSUE: _____

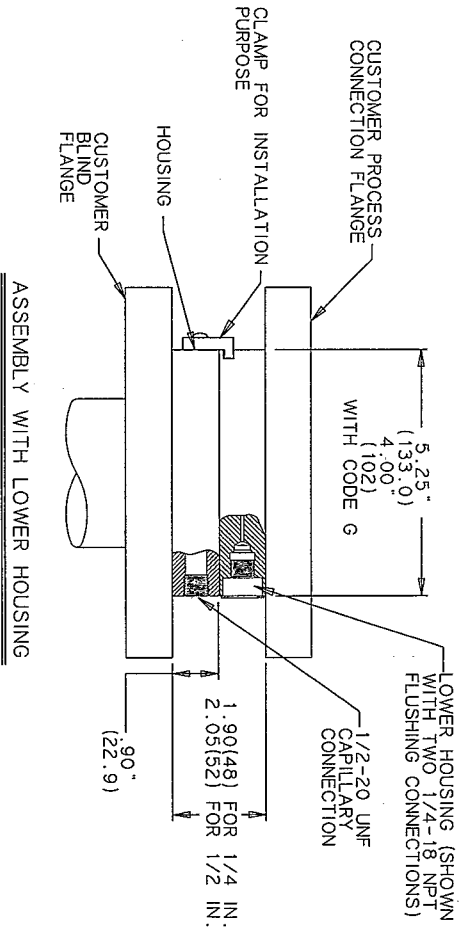
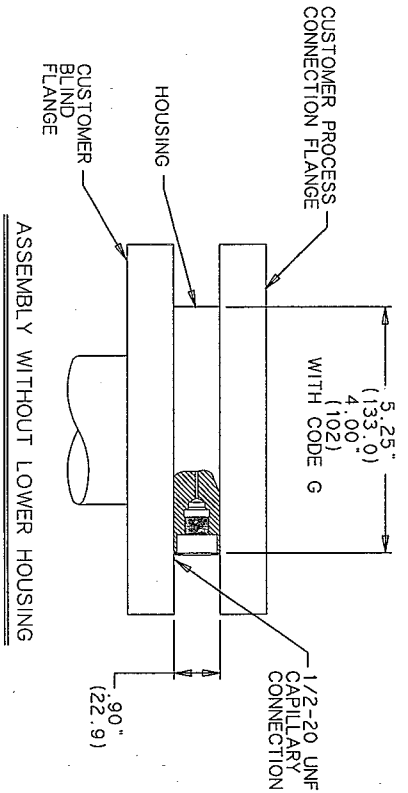
DRAWING NO. 03031-1030

SHEET 6 OF 18

MODEL PFW PANCAKE SEAL

CONTINUED FROM TABLE 9

CODE	INDUSTRY STANDARD (SELECT 1)
A	ANSI (AMERICAN NATIONAL STANDARDS INSTITUTE)
D	DIN (DEUTSCHES INSTITUT FÜR NORMUNG)
CODE	PROCESS CONNECTION STYLE
PFW	PANCAKE
CODE	PROCESS CONNECTION SIZE (SELECT 1)
G	2 in. /DN50
7	3 in. (ANSI ONLY)
J	DN 80 (DIN ONLY)
CODE	PRESSURE RATING (MWP) (SELECT 1)
0	NO FLANGE SUPPLIED. SEAL RATED TO 2000 psi. OR FLANGE RATING (ANSI ONLY)
9	NO FLANGE SUPPLIED. SEAL RATED TO PN 10. 160 (DIN ONLY)
1	CLASS 150 (ANSI) FLANGE AND RETAINING CAP
2	CLASS 300 (ANSI) FLANGE AND RETAINING CAP
4	CLASS 600 (ANSI) FLANGE AND RETAINING CAP
G	PN 40 (DIN) FLANGE AND RETAINING CAP
CODE	UPPER HOUSING MATERIAL MOUNTING FLANGE MATERIAL (SELECT 1)
L	316L SST NO MOUNTING FLANGE
C	316L SST PLATED CARBON STEEL
D	316L SST 316 SST
B	HASTELLOY C-276 NO MOUNTING FLANGE
M	HASTELLOY C-276 PLATED CARBON STEEL
K	HASTELLOY C-276 316 SST
CODE	DIAPHRAGM MATERIAL (SELECT 1)
A	316L SST
B	HASTELLOY C-276
C	TANTALUM
CODE	LOWER HOUSING MATERIAL (SELECT 1)
O	NO LOWER HOUSING
A	316 SST
B	HASTELLOY C-276
D	PLATED CARBON STEEL
CODE	FLUSHING OPTION (SELECT 1)
0	NO LOWER HOUSING
1	ONE 1/4 in. FLUSHING CONNECTION
3	TWO 1/4 in. FLUSHING CONNECTIONS
7	ONE 1/2 in. FLUSHING CONNECTION
9	TWO 1/2 in. FLUSHING CONNECTIONS
CODE	OPTIONS (SELECT 1, 2, OR 3)
0	NONE
A	INCLUSION OF A VACUUM RESISTANT GASKET (FOR USE WITH MODEL 1151 TRANSMITTERS IN VACUUM APPLICATIONS)
B	EXTRA FILL FOR COLD TEMPERATURE APPLICATIONS
C	0.0006-in. DIAPHRAGM THICKNESS (SST DIAPHRAGM ONLY)
D	HASTELLOY PLUG IN FLUSHING CONNECTION
G	SST PLUG IN FLUSHING CONNECTION
H	SST DRAIN/VENT IN FLUSHING CONNECTION
J	TEFLON GASKET
K	BARIUM SULFATE-FILLED TEFLON GASKET
V	TEFLON COATED DIAPHRAGM FOR NONSTICK PURPOSES



ROSEMOUNT INC.
MINNEAPOLIS, MINN.

THIS DRAWING WAS CREATED ON CAD. YELLOW MASTER IS NOT TO BE CHANGED FOR ECO CHANGES.

FILE NAME: _____

SIZE: A FSCM NO. 04274 DRAWING NO. 03031-1030

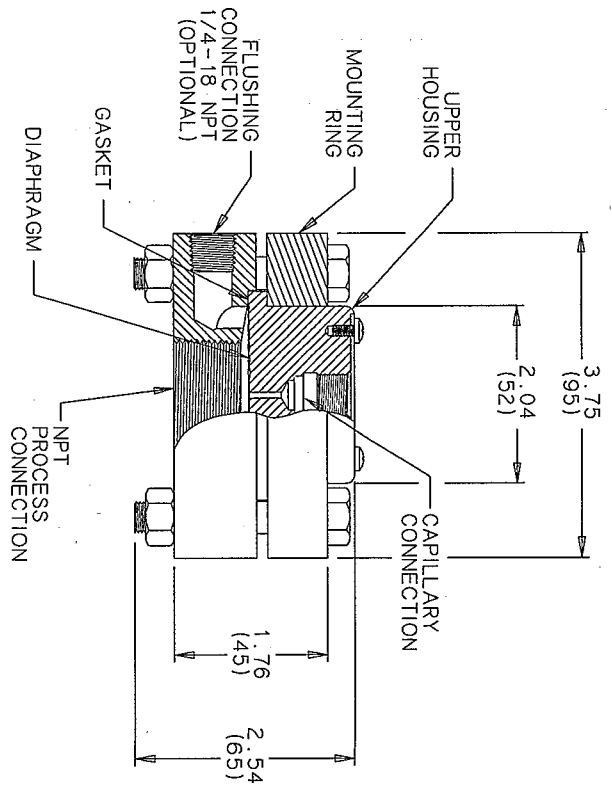
DR _____ SCALE: _____ WT. _____ SHEET 7 OF 18

ISSUE _____

MODEL ARTW THREADED SEAL

CONTINUED FROM TABLE 9

CODE	PROCESS CONNECTION STYLE	
ARTW	THREADED	
CODE	PROCESS CONNECTION SIZE (SELECT 1)	
1	1/4-18 NPT	
2	3/8-18 NPT	
3	1/2-14 NPT	
4	3/4-18 NPT	
5	1-11.5 NPT	
6	1-1/4-11.5 NPT (FLUSHING CONNECTION NOT AVAILABLE)	
7	1-1/2-11.5 NPT (FLUSHING CONNECTION NOT AVAILABLE)	
CODE	PRESSURE RATING (MWP) (SELECT 1)	
0	2,000 psi MAXIMUM WORKING PRESSURE (WITH STANDARD CARBON STEEL BOLTS)	
CODE	UPPER HOUSING MATERIAL	MOUNTING FLANGE MATERIAL (SELECT 1)
C	316L SST	PLATED CARBON STEEL
D	316L SST	316 SST
CODE	DIAPHRAGM MATERIAL (SELECT 1)	
A	316L SST	
B	HASTELLOY C-276	
C	TANTALUM	
CODE	LOWER HOUSING MATERIAL (SELECT 1)	
A	316L SST	
B	HASTELLOY C-276	
D	PLATED CARBON STEEL	
CODE	FLUSHING OPTION (SELECT 1)	
1	ONE 1/4 in. FLUSHING CONNECTION	
3	TWO 1/4 in. FLUSHING CONNECTIONS	
5	NO FLUSHING CONNECTION	
CODE	OPTIONS (SELECT 1, 2, OR 3)	
0	NONE	
3	304 SST BOLTS	
4	316 SST BOLTS	
A	INCLUSION OF A VACUUM RESISTANT GASKET (FOR USE WITH MODEL 1151 TRANSMITTERS IN VACUUM APPLICATIONS)	
B	EXTRA FILL FOR COLD TEMPERATURE APPLICATIONS	
C	0.0006-in. DIAPHRAGM THICKNESS	
D	HASTELLOY PLUG IN FLUSHING CONNECTION	
G	SST PLUG IN FLUSHING CONNECTION	
H	SST DRAIN/VENT IN FLUSHING CONNECTION	
J	TEFLON GASKET	
K	BARIUM SULFATE-FILLED TEFLON GASKET	
R	ETHYLENE PROPYLENE GASKET	
N	GRAFOIL GASKET	
V	TEFLON COATED DIAPHRAGM FOR NONSTICK PURPOSES	



ROSEMOUNT® INC.
MINNEAPOLIS, MINN.

THIS DRAWING WAS CREATED ON CAD. VELLUM MASTER IS NOT TO BE CHANGED. DRAWING IS ARCHIVED ON MAGNETIC TAPE FOR ECO CHANGES.

FILE NAME: _____

SIZE: A FSCM. NO. 04274 DRAWING NO. 03031-1030

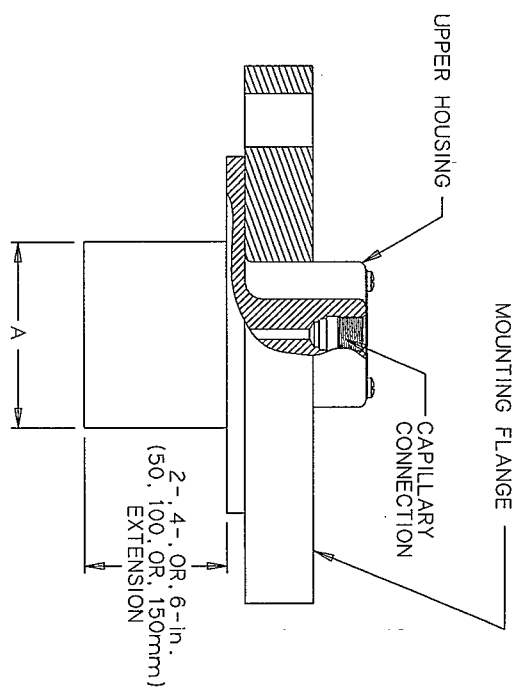
SCALE: _____ WT. _____ SHEET 8 OF 18

DR _____ ISSUE _____

MODEL EFW EXTENDED FLANGE SEAL

CONTINUED FROM TABLE 9

CODE	INDUSTRY STANDARD (SELECT 1)
A	ANSI (AMERICAN NATIONAL STANDARDS INSTITUTE)
D	DIN (DEUTSCHES INSTITUT FUR NORMUNG)
CODE	PROCESS CONNECTION STYLE
EFW	EXTENDED FLANGE SEAL
CODE	PROCESS CONNECTION SIZE (SELECT 1)
7	3 in. (ANSI ONLY)
9	4-in. (DN 100)
J	DN 80(DIN ONLY)
CODE	FLANGE PRESSURE RATING (SELECT 1)
1	CLASS 150 (ANSI)
2	CLASS 300 (ANSI)
4	CLASS 600 (ANSI)
G	PN 40 (DIN)
E	PN 10/16 (DN 100 ONLY)
CODE	UPPER HOUSING MATERIAL MOUNTING FLANGE MATERIAL (SELECT 1)
C	316L SST PLATED CARBON STEEL
D	316L SST
CODE	DIAPHRAGM/EXTENSION MATERIAL (SELECT 1)
AL	316L SST
BB	HASTELLOY C-276
CL	TANTALUM / 316L SST
CODE	EXTENSION LENGTH (SELECT 1)
2	2-in. (50mm)
4	4-in. (100mm)
6	6-in. (150mm)
CODE	OPTIONS (SELECT 1, 2, OR 3)
0	NONE
3	4-in. FLANGE FOR 3-in. DIAPHRAGM
A	INCLUSION OF A VACUUM RESISTANT GASKET (FOR USE WITH MODEL 1151
B	TRANSMITTERS IN VACUUM APPLICATIONS)
C	EXTRA FILL FOR COLD TEMPERATURE APPLICATIONS
2	.0006-in. DIAPHRAGM THICKNESS (SST DIAPHRAGM ONLY)
V	SIZED FOR SCHEDULE 40 PIPE (HEADBOX APPLICATION, OLD M0080) ANSI ONLY
	TEFLON COATED DIAPHRAGM FOR NONSTICK SURFACES



PROCESS CONNECTION SIZE	FLANGE RATING	DIAMETER A
3-in.	ALL	2.58 (66)
4-in. /DN 80	ALL	3.50 (89)
	ALL	2.992 (76)
3 in. HEADBOX	ALL	2.875 (74)
4 in. HEADBOX	ALL	3.780 (97)

ROSEMOUNT INC.
MINNEAPOLIS, MINN.

THIS DRAWING WAS CREATED ON CAD. VELLUM MASTER IS NOT TO BE CHANGED. DRAWING IS ARCHIVED ON MAGNETIC TAPE FOR ECO CHANGES.

FILE NAME: _____

SIZE: A FSQM. NO. 04274 DRAWING NO. 03031-1030

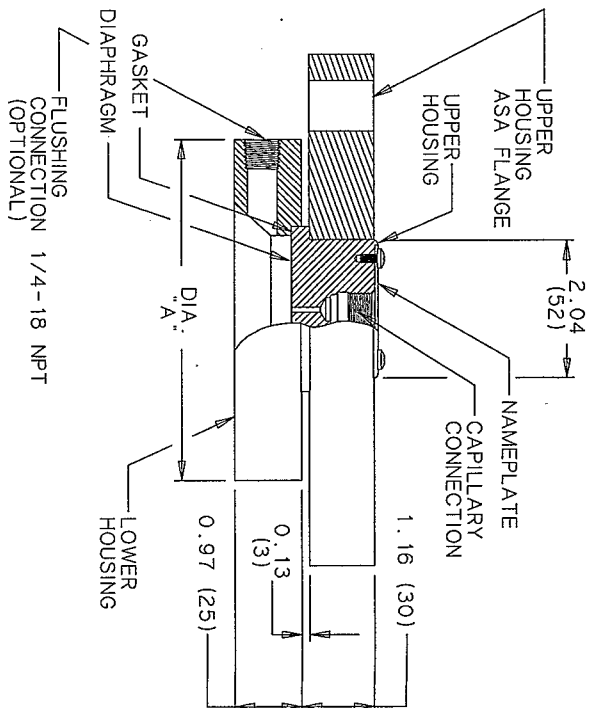
SCALE: _____ WT. _____ SHEET 9 OF 18

DR _____ ISSUE _____

MODEL RFW FLANGED SEAL

CONTINUED FROM TABLE 9

CODE	INDUSTRY STANDARD (SELECT 1)
A	ANSI (AMERICAN NATIONAL STANDARDS INSTITUTE)
D	DIN (DEUTSCHES INSTITUT FÜR NORMUNG)
CODE	PROCESS CONNECTION STYLE
RFW	FLANGED
CODE	PROCESS CONNECTION SIZE (SELECT 1)
2	1-in. (ANSI ONLY)
4	1-1/2-in. (ANSI ONLY)
D	DN 25 (DIN ONLY)
F	DN 40 (DIN ONLY)
CODE	PRESSURE RATING (SELECT 1)
1	CLASS 150 (ANSI)
2	CLASS 300 (ANSI)
4	CLASS 600 (ANSI)
G	PN 40 (DIN)
CODE	UPPER HOUSING MATERIAL
C	316L SST
D	316L SST
CODE	DIAPHRAGM MATERIAL (SELECT 1)
A	316L SST
B	HASTELLOY C-276
C	TANTALUM
CODE	LOWER HOUSING MATERIAL (SELECT 1)
A	316 SST
B	HASTELLOY C-276
D	PLATED CARBON STEEL
T	TEFLON COATED
CODE	FLUSHING OPTIONS (SELECT 1)
1	ONE 1/4 in. FLUSHING CONNECTION
3	TWO 1/4 in. FLUSHING CONNECTIONS
5	NO FLUSHING CONNECTIONS
CODE	OPTIONS (SELECT 1, 2, OR 3)
O	NONE
A	INCLUSION OF A VACUUM RESISTANT GASKET (FOR USE WITH MODEL 1151 TRANSMITTERS IN VACUUM APPLICATIONS)
B	EXTRA FILL FOR COLD TEMPERATURE APPLICATIONS
C	0.0006-in. DIAPHRAGM THICKNESS
D	HASTELLOY PLUG (IN 1/4-in. FLUSHING CONNECTION ONLY)
G	SST PLUG (IN 1/4-in. FLUSHING CONNECTION ONLY)
H	SST DRAIN/VENT (IN 1/4-in. FLUSHING CONNECTION ONLY)
J	TEFLON GASKET
K	BARIUM SULFATE-FILLED TEFLON GASKET
R	ETHYLENE PROPYLENE GASKET
N	GRAFOIL GASKET
V	TEFLON COATED DIAPHRAGM FOR NONSTICK PURPOSES



PROCESS CONNECTION SIZE	DIAMETER A
1 in. /DN 25	2.62 (67)
1-1/2 in. /DN 40	3.10 (79)

ROSEMOUNT INC.
MINNEAPOLIS, MINN.

THIS DRAWING WAS CREATED ON CAD.
VELLUM MASTER IS NOT TO BE CHANGED.
DRAWING IS ARCHIVED ON MAGNETIC TAPE
FOR ECO CHANGES.

FILE NAME: _____

SIZE: A
FSCM. NO.: 04274
DRAWING NO.: 03031-1030

SCALE: _____ WT. _____ SHEET 10 OF 18

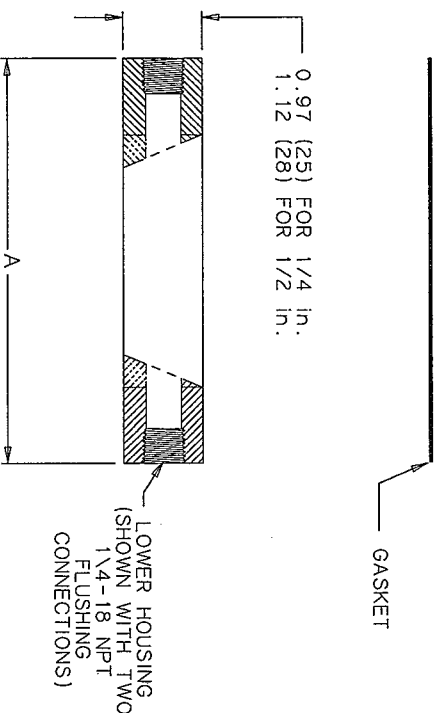
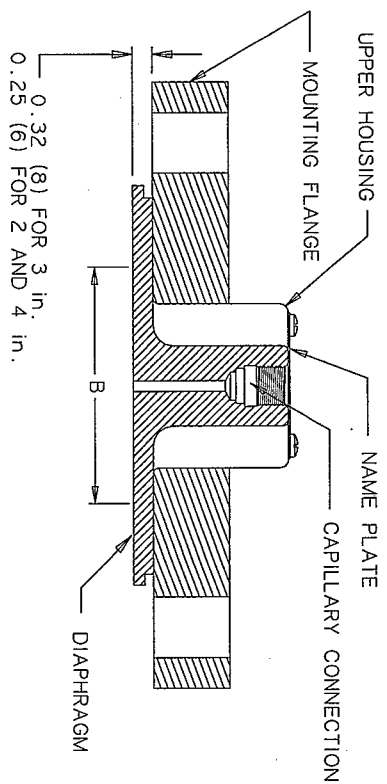
DR _____ ISSUE _____

MODEL FFW FLUSH FLANGED SEAL

CONTINUED FROM TABLE 9

CODE	INDUSTRY STANDARD (SELECT 1)
A	ANSI (AMERICAN NATIONAL STANDARDS INSTITUTE)
D	DIN (DEUTSCHES INSTITUT FÜR NORMUNG)
CODE	PROCESS CONNECTION STYLE
FFW	FLANGED, FLUSH SURFACE
CODE	PROCESS CONNECTION SIZE (SELECT 1)
G	2-in. /DN50
7	3 in. (ANSI ONLY)
9	4-in. /DN100
J	DN 80 (DIN ONLY)
CODE	FLANGE PRESSURE RATING (MWP) (SELECT 1)
1	CLASS 150 (ANSI)
2	CLASS 300 (ANSI)
4	CLASS 600 (ANSI)
G	PN 40 (DIN)
E	PN 10/16 (DN 100 ONLY)
CODE	UPPER HOUSING MATERIAL
C	316L SST
D	316L SST
M	HASTELLOY C-276
K	HASTELLOY C-276
CODE	DIAPHRAGM MATERIAL (SELECT 1)
A	316L SST
B	HASTELLOY C-276
C	TANTALUM - SEAM WELDED
3	TANTALUM - BRAZED
CODE	LOWER HOUSING MATERIAL (SELECT 1)
O	NO LOWER HOUSING
A	316 SST
B	HASTELLOY C-276
D	PLATED CARBON STEEL
CODE	FLUSHING OPTION (SELECT 1)
0	NO LOWER HOUSING
1	ONE 1/4 in. FLUSHING CONNECTION
3	TWO 1/4 in. FLUSHING CONNECTIONS
7	ONE 1/2 in. FLUSHING CONNECTION
9	TWO 1/2 in. FLUSHING CONNECTIONS
CODE	OPTIONS (SELECT 1, 2, OR 3)
O	NONE
3	4-in. FLANGE FOR 3-in. DIAPHRAGM
5	0.0003 in. THICK DIAPHRAGM
A	VACUUM RESISTANT GASKET (FOR USE WITH MODEL 1151 TRANSMITTERS IN VACUUM APPLICATIONS)
B	COLD TEMPERATURE OPTION (BELOW 0°F OR -17.8°C)
C	0.0006-in. DIAPHRAGM THICKNESS (SST DIAPHRAGM ONLY)
D	HASTELLOY PLUG IN FLUSHING CONNECTION
G	SST PLUG IN FLUSHING CONNECTION
H	SST DRAIN/VENT IN FLUSHING CONNECTION
J	TEFLON GASKET
V	TEFLON COATED DIAPHRAGM FOR NONSTICK PURPOSES

SIZE	A	B
2 in. /DN 50	4.00 (101)	2.38 (60)
3 in. /DN 80	5.25 (133)	3.5 (89)
4 in. /DN 100	6.38 (162)	4.5 (114)



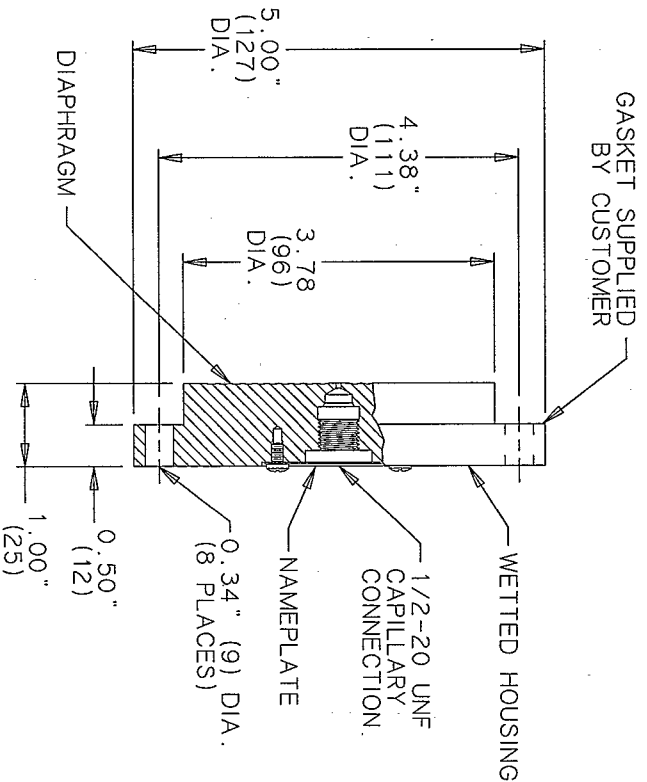
ROSEMOUNT®
MINNEAPOLIS, MINN.

THIS DRAWING WAS CREATED ON CAD. VELLUM MASTER IS NOT TO BE CHANGED. DRAWING IS ARCHIVED ON MAGNETIC TAPE FOR ECO CHANGES.
FILE NAME:
SIZE: FSCM. NO. A 04274
DRAWING NO. 03031-1030
SCALE: WT. SHEET 11 OF 18

MODEL NCTW2 CHEMICAL TEE SEAL

CONTINUED FROM TABLE 9

CODE	PROCESS CONNECTION STYLE
NCTW	CHEMICAL TEE SEAL (WEDGE FLOW STYLE SEAL)
CODE	FLANGE PRESSURE RATING
20	1,000 PSI MAXIMUM WORKING PRESSURE
CODE	UPPER HOUSING MATERIAL
A	316 SST
CODE	DIAPHRAGM MATERIAL (SELECT 1)
A	316L SST
B	HASTELLOY C-276
CODE	LOWER HOUSING/FLUSHING OPTION
00	NOT APPLICABLE
CODE	OPTIONS (SELECT 1, 2, OR 3)
0	NONE
A	INCLUSION OF A VACUUM RESISTANT GASKET (FOR USE WITH MODEL 1151)
B	TRANSMITTERS IN VACUUM APPLICATIONS)
C	EXTRA FILL FOR COLD TEMPERATURE APPLICATIONS
V	0.0006 INCH DIAPHRAGM THICKNESS TEFLON COATED DIAPHRAGM FOR NON STICK PURPOSES



ROSEMOUNT[®] INC.
MINNEAPOLIS, MINN.

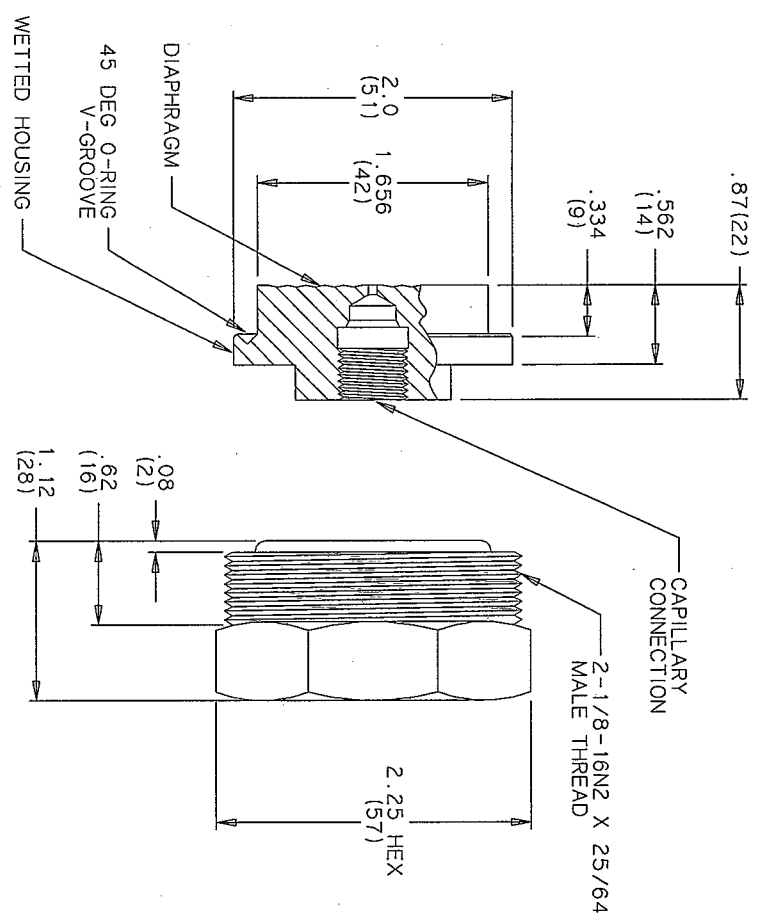
THIS DRAWING WAS CREATED ON CAD
VELLUM MASTER IS NOT TO BE CHANGED.
DRAWING IS ARCHIVED ON MAGNETIC TAPE
FOR ECO CHANGES.

DR	SIZE	FSCM. NO.	DRAWING NO.	SHEET	OF	18
ISSUE	A	04274	03031-1030	12		
SCALE: WT.						

MODEL NUCW 1 UNION CONNECTION SEAL

CONTINUED FROM TABLE 9

CODE	PROCESS CONNECTION STYLE
NUCW	UNION CONNECTION SEAL. (SUGGESTED MINIMUM SPAN: 5 psi.)
CODE	FLANGE PRESSURE RATING
0	2,000 psi MAXIMUM WORKING PRESSURE
CODE	UPPER HOUSING MATERIAL
AA	316 SST/316L SST
BB	HASTELLOY C-276/HASTELLOY C-276
CODE	LOWER HOUSING/FLUSHING OPTION
00	NOT APPLICABLE
CODE	OPTIONS (SELECT 1, 2, OR 3)
0	NONE
A	INCLUSION OF A VACUUM RESISTANT GASKET (FOR USE WITH MODEL 1151 TRANSMITTERS IN VACUUM APPLICATIONS)
B	COLD TEMPERATURE APPLICATION (BELOW 0 F OR -17.8 C)
1	WELD NUGGET FOR CAPILLARY SUPPORT TUBE
V	TEFLON COATED DIAPHRAGM FOR NONSTICK PURPOSES



ROSEMOUNT® INC.
MINNEAPOLIS, MINN.

THIS DRAWING WAS CREATED ON CAD. VELLUM MASTER IS NOT TO BE CHANGED. DRAWING IS ARCHIVED ON MAGNETIC TAPE FOR ECO CHANGES.

FILE NAME: _____

SIZE: A
FSCM. NO.: 04274
DRAWING NO.: 03031-1030

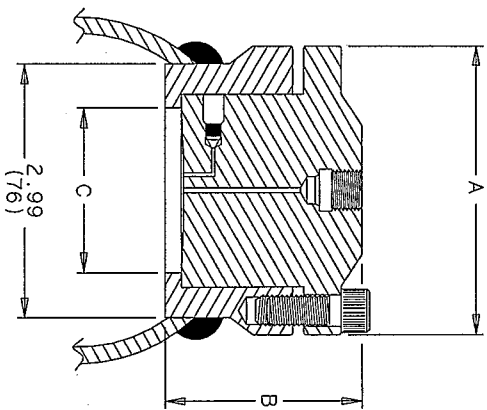
SCALE: _____ WT. _____ SHEET 13 OF 18

DR _____ ISSUE _____

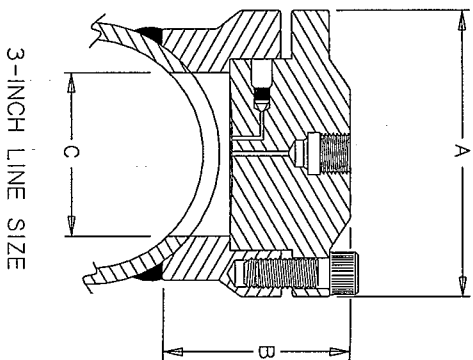
MODEL NWS SADDLE SEAL

CONTINUED FROM TABLE 9

CODE	PROCESS CONNECTION STYLE
NWSP	FLOE-THRU SADDLE SEAL
CODE	PROCESS CONNECTION SIZE (SELECT 1)
7	3-in. PIPE
9	4-in. AND LARGER PIPE
CODE	PRESSURE RATING
0	1,250 psi AT 100 DEG F (8618 kPa AT 38 DEG C) - SIX BOLT HOLES
1	1,500 psi AT 100 DEG F (10340 kPa AT 38 DEG C) - EIGHT BOLT HOLES
CODE	UPPER HOUSING MATERIAL (SELECT 1)
L	316L SST (304 SST BOLTS)
CODE	DIAPHRAGM MATERIAL (SELECT 1)
A	316L SST
B	HASTELLOY C-276
C	TANTALUM
CODE	LOWER HOUSING MATERIAL (SELECT 1)
00	NO LOWER HOUSING
B5	HASTELLOY C-276
D5	PLATED CARBON STEEL
L5	316L SST
CODE	SEAL OPTIONS (2 POSITIONS REQUIRED)
0	NONE
7	TEFLON O-RING
N	GRAFOIL GASKET
A	VACUUM-RESISTANT GASKET
C	0.0006 INCH DIAPHRAGM THICKNESS
V	TEFLON COATED DIAPHRAGM FOR NONSTICK PURPOSES



4-INCH AND LARGER LINE SIZES



3-INCH LINE SIZE

SIZE	DIM. A	DIM. B	DIM. C
3 in.	3.50 (89)	2.27 (58)	2.01 (51)
4 in. AND LARGER	3.50 (89)	2.38 (60)	2.01 (51)

ROSEMOUNT[®] INC.
MINNEAPOLIS, MINN.

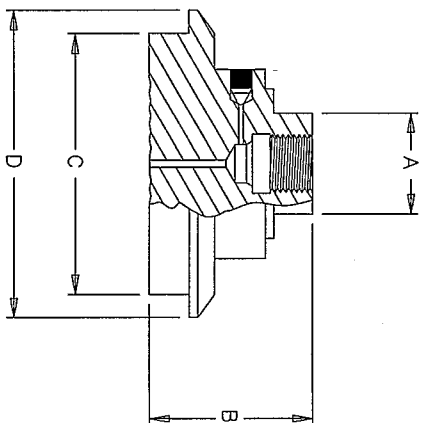
THIS DRAWING WAS CREATED ON CAD
VELLUM MASTER IS NOT TO BE CHANGED
DRAWING IS ARCHIVED ON MAGNETIC TAPE
FOR ECO CHANGES.

DR	SIZE	FSQM. NO.	DRAWING NO.
ISSUE	A	04274	03031-1030
	SCALE:	WT.	SHEET 14 OF 18

MODEL SSH CHERRY BURRELL SEAL

CONTINUED FROM TABLE 9

CODE	PROCESS CONNECTION STYLE
SSHP	SANITARY CHERRY BURRELL "1" LINE STYLE
CODE	PROCESS CONNECTION SIZE (SELECT 1)
50	2-in. (SUGGESTED MINIMUM SPAN: 15 psi)
70	3-in.
CODE	UPPER HOUSUNG/DIAPHRAGM MATERIAL (SELECT 1)
AA	316 SST/316L SST
AB	316 SST/HASTELLOY C-276
CODE	LOWER HOUSUNG/FLUSHING OPTION
00	NOT APPLICABLE
CODE	SYSTEM OPTIONS (SELECT 1)
0	NONE
A	INCLUSION OF A VACUUM RESISTANT GASKET (FOR USE WITH MODEL 1151 TRANSMITTERS IN VACUUM APPLICATIONS)
P	NON-GRAS FILL WITHOUT 3-A APPROVAL



DIAMETER (NOMINAL)	DIMENSION			
	A	B	C	D
2 in.	1.62 (41)	1.39 (35)	2.24 (57)	2.64 (67)
3 in.	3.88 (99)	1.24 (31)	3.30 (84)	3.88 (99)

ROSEMOUNT INC.
MINNEAPOLIS, MINN.

THIS DRAWING WAS CREATED ON CAD. VELLUM MASTER IS NOT TO BE CHANGED. DRAWING IS ARCHIVED ON MAGNETIC TAPE FOR ECO CHANGES.

FILE NAME: _____

SIZE FSQM. NO. A 04274

DRAWING NO. 03031-1030

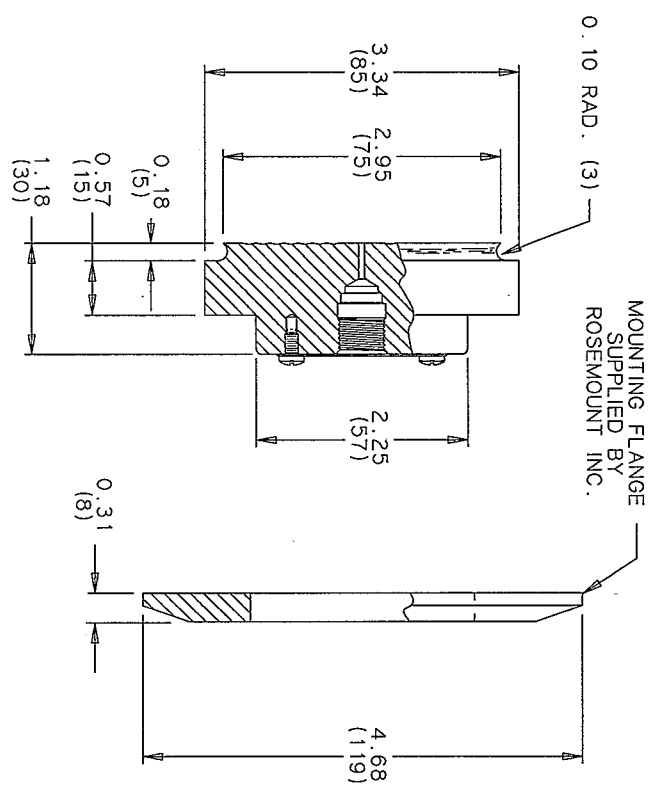
SCALE: _____ WT. _____ SHEET 15 OF 18

DR _____ ISSUE _____

MODEL SSTWBO THIN-WALL TANK SPUD SEAL

CONTINUED FROM TABLE 9

CODE	PROCESS CONNECTION STYLE
SSTW	SANITARY THIN WALL TANK SPUD
CODE	PRESSURE RATING
BO	300 psig MAX WORKING PRESSURE
CODE	WETTED PARTS MATERIAL (UPPER HOUSING AND DIAPHRAGM) (SELECT 1)
LA	316L SST
KB	HASTELLOY C-276
CODE	OTHER WETTED MATERIAL/EXTENTIONS
00	NOT APPLICABLE
CODE	OPTIONS (SELECT 1, 2, OR 3)
0	NONE
A	INCLUSION OF A VACUUM RESISTANT GASKET (FOR USE WITH MODEL
P	1151 TRANSMITTERS IN VACUUM APPLICATIONS)
1	NON-GRAS FILL WITHOUT 3-A APPROVAL TANK SPUD INCLUDED WITH SHIPMENT



ROSEMOUNT[®] INC.
MINNEAPOLIS, MINN.

THIS DRAWING WAS CREATED ON CAD.
VELLUM MASTER IS NOT TO BE CHANGED.
DRAWING IS ARCHIVED ON MAGNETIC TAPE
FOR ECO CHANGES.

DR	SIZE	FORM NO.	DRAWING NO.	SHEET	OF
ISSUE	A	04274	03031-1030	16	18
	SCALE:	WT.			

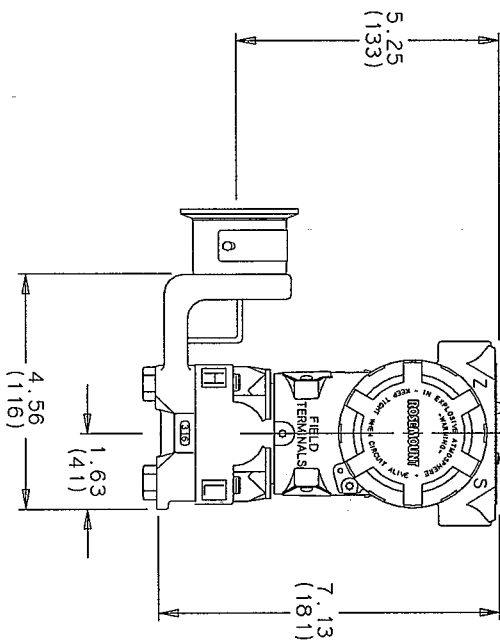
MODEL SSC TRI-CLAMP SEAL

CONTINUED FROM TABLE 9

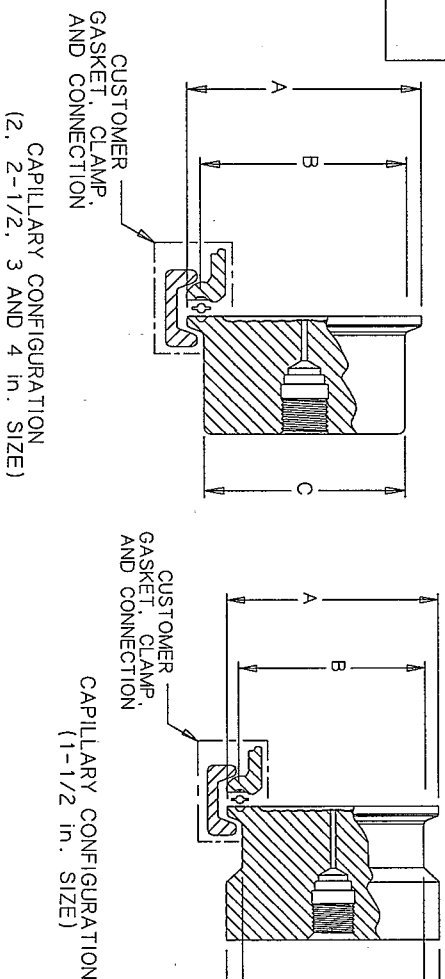
CODE	INDUSTRY STANDARD
S	SANITARY
CODE	PROCESS CONNECTION STYLE
SCW	SANITARY TRI-CLOVER STYLE TRI-CLAMP MAXIMUM WORKING PRESSURE: 600 psi (4140 kPa)
CODE	PROCESS CONNECTION SIZE
30	1-1/2-in.
50	2-in.
60	2-1/2-in.
70	3-in.
90	4-in.
CODE	UPPER HOUSING/WETTED DIAPHRAGM MATERIAL
LA	316L SST/316L SST
BB	316L HASTELLOY C-276/HASTELLOY C-276
CODE	LOWER HOUSING FLUSHING OR EXTENSION OPTION
00	NOT APPLICABLE
CODE	SEAL OPTIONS
0	NONE
2	HIGH PRESSURE LADISH CLAMP (ALLOWS PRESSURE UP TO 600 psi. (4140 kPa) AT 52 DEG F (125 DEG F))
3	BUNA N GASKET
A	VACUUM RESISTANT GASKET (FOR USE WITH MODEL 1151 TRANSMITTERS IN VACUUM APPLICATIONS)
P	NON-SANITARY FILL FLUID (3-A APPROVAL NOT VALID)

CLAMP MODEL	psi @ 70 DEG F	psi @ 250 DEG F
13MLHA	150	125
13MHM	(2-in.) 450 (3-in.) 350	250 150
13MHP	1,000	800

ORDER CODE	DIAMETER (NOMINAL)	DIMENSION			
		A	B	C	D
30	1.5 (38)	2.0 (51)	1.72 (44)	2.04 (52)	1.62 (41)
50	2.0 (51)	2.5 (64)	2.22 (56)	2.04 (52)	-
60	2.5 (64)	3.0 (76)	2.78 (71)	2.04 (52)	-
70	3.0 (76)	3.6 (91)	3.28 (93)	2.04 (52)	-
90	4.0 (102)	4.7 (119)	4.35 (111)	2.04 (52)	-



MODEL 3051C
WITH INTEGRAL MOUNT SEAL
(2 AND 3 in. SIZES)



ROSEMOUNT® INC.
MINNEAPOLIS, MINN.

THIS DRAWING WAS CREATED ON CAD.
VELLUM MASTER IS NOT TO BE CHANGED.
DRAWING IS ARCHIVED ON MAGNETIC TAPE
FOR ECO CHANGES.

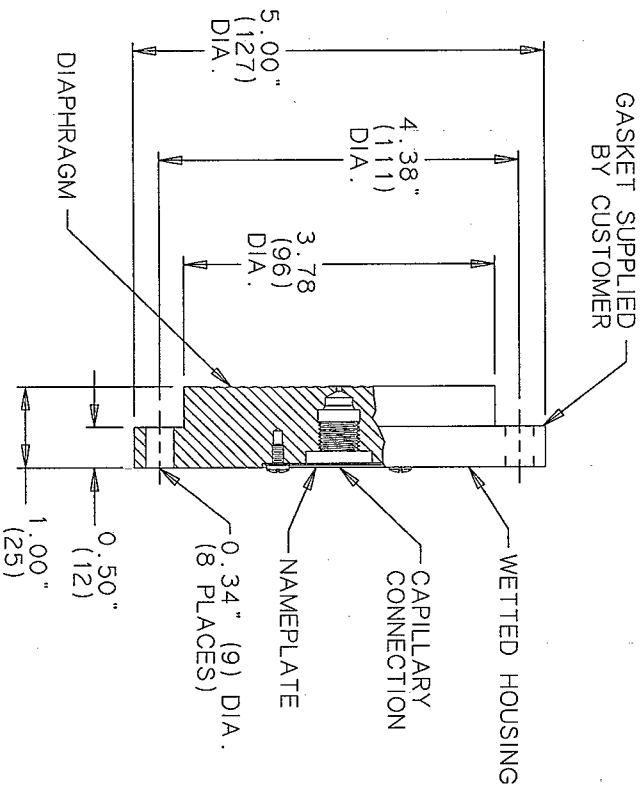
FILE NAME:
SIZE FSCM.NO. DRAWING NO. 03031-1030
A 04274

SCALE: WT. SHEET 17 OF 18

MODEL NCTW2 CHEMICAL TEE SEAL

CONTINUED FROM TABLE 9

CODE	INDUSTRY STANDARD	
N	INDUSTRY SPECIFIC	
CODE	PROCESS CONNECTION STYLE	
CTW	CHEMICAL TEE SEAL (WEDGE FLOW STYLE SEAL)	
CODE	FLANGE PRESSURE RATING	
20	750 PSIG MAXIMUM WORKING PRESSURE	
CODE	DIAPHRAGM MATERIAL	UPPER HOUSING MATERIAL (WETTED)
AA	316L SST	316L SST
BB	HASTELLOY C-276	HASTELLOY C-276
CODE	LOWER HOUSING/FLUSHING OPTION	
00	NOT APPLICABLE	
CODE	OPTIONS	
0	NONE	
A	VACUUM RESISTANT GASKET (FOR USE WITH MODEL 1151 TRANSMITTERS IN VACUUM APPLICATIONS)	
B	EXTRA FILL FOR COLD TEMPERATURE APPLICATIONS	
C	0.006 INCH DIAPHRAGM THICKNESS (316L SST DIAPHRAGM FOR ABRASIVE APPLICATIONS ONLY)	
V	TEFLON COATED DIAPHRAGM FOR NON STICK PURPOSES	



ROSEMOUNT[®] INC.
MINNEAPOLIS, MINN.

THIS DRAWING WAS CREATED ON CAD.
VELLUM MASTER IS NOT TO BE CHANGED.
DRAWING IS ARCHIVED ON MAGNETIC TAPE
FOR ECO CHANGES.

DR	SIZE	FILE NAME:	DRAWING NO.	SHEET	OF
ISSUE	A	04274	03031-1030	18	18
	SCALE:	WT.			